

**Pablo®**

# CLAMP

## ASSEMBLY & INSTALLATION INSTRUCTIONS

### TABLE OF CONTENTS

pg. 2-4.....	CLAMP
pg. 5-8.....	CLAMP FLOOR
pg. 9-12.....	CLAMP FS
pg. 13-15.....	CLAMP MINI

---

Pablo®

# CLAMP

## ASSEMBLY & INSTALLATION INSTRUCTIONS

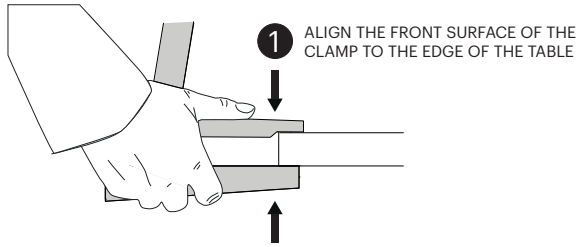
INFO@PABLODESIGNS.COM  
888 MARIN STREET  
SAN FRANCISCO, CA  
94124

PABLODESIGNS.COM

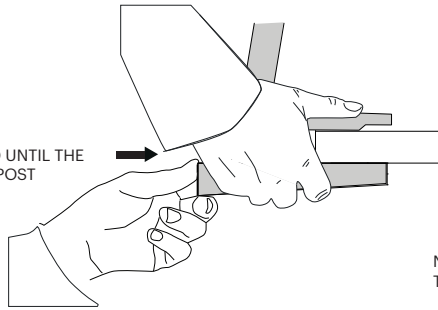


# Pablo® CLAMP

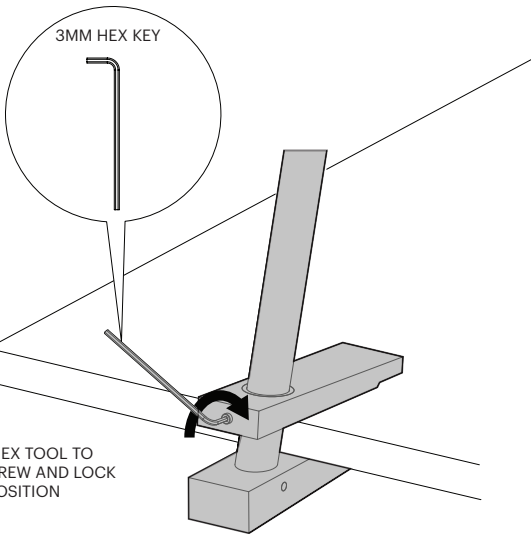
## INSTALLATION



2 SLIDE CLAMP FORWARD UNTIL THE EDGE OF TABLE MEETS POST

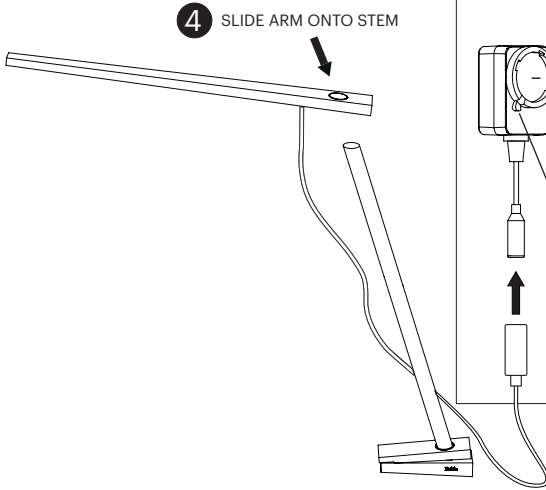


## LOCKING

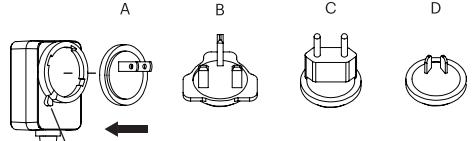


# Pablo® CLAMP

## ASSEMBLY



## PLUG TYPES:



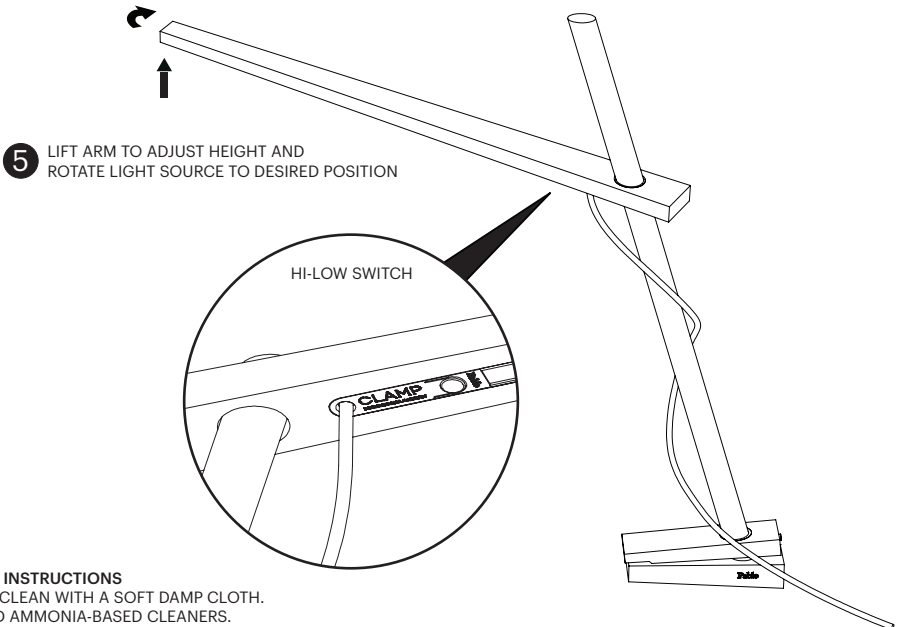
1 PUSH AND TWIST PLUG INTO POWER SUPPLY  
PUSH BUTTON TO REMOVE PLUG

2 CONNECT LAMP CORD TO POWER SUPPLY

A. N AMERICA B. UK C. EU D. AU

NOTE: CONTACT MANUFACTURER FOR ADDITIONAL PLUG TYPE REQUIREMENTS.

## ADJUSTMENT



## CARE INSTRUCTIONS

WIPE CLEAN WITH A SOFT DAMP CLOTH.  
AVOID AMMONIA-BASED CLEANERS.

Pablo®

# CLAMP FLOOR

## ASSEMBLY & INSTALLATION INSTRUCTIONS

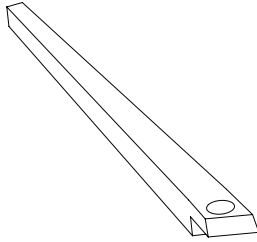
INFO@PABLODESIGNS.COM  
888 MARIN STREET  
SAN FRANCISCO, CA  
94124

PABLODESIGNS.COM

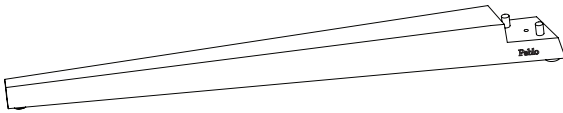


# Pablo® CLAMP FLOOR

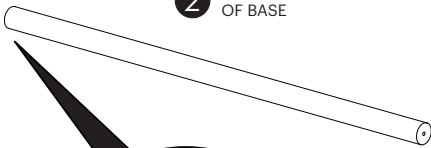
## ASSEMBLY



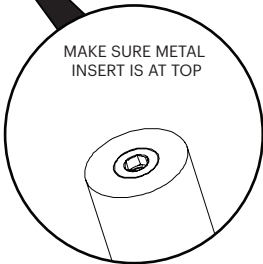
- 1** ASSEMBLE BASE BY JOINING TOP LEG TO BOTTOM LEG AS SHOWN



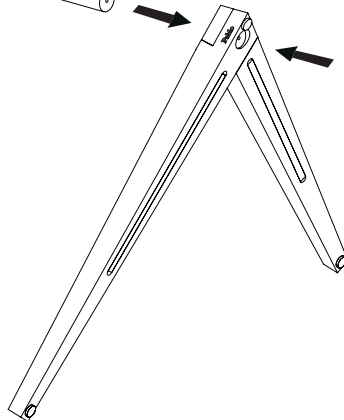
- 2** SLIDE BOTTOM POST INTO HOLE ON TOP OF BASE



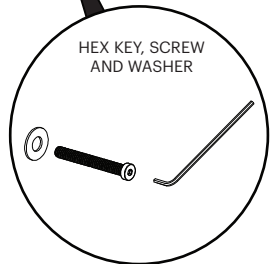
MAKE SURE METAL  
INSERT IS AT TOP



- 3** USE SUPPLIED HEX KEY TO SECURE BOTTOM POST WITH WASHER AND SCREW PROVIDED. TIGHTEN UNTIL POST IS SECURE BUT CAN STILL ROTATE.



HEX KEY, SCREW  
AND WASHER

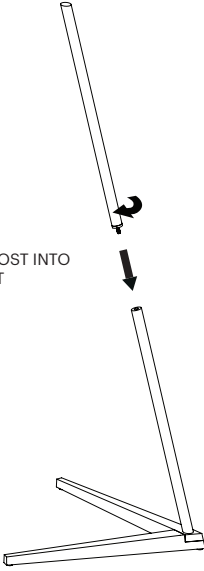


Pablo®

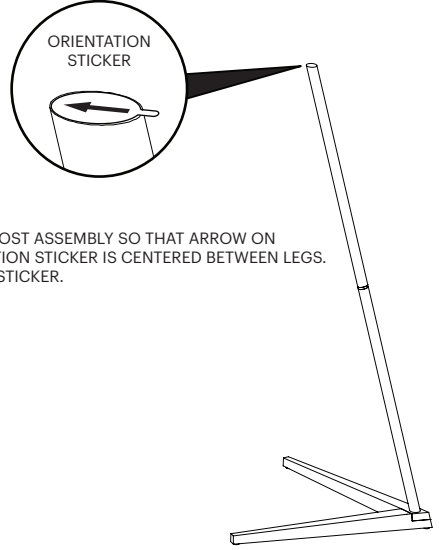
# CLAMP FLOOR

ASSEMBLY

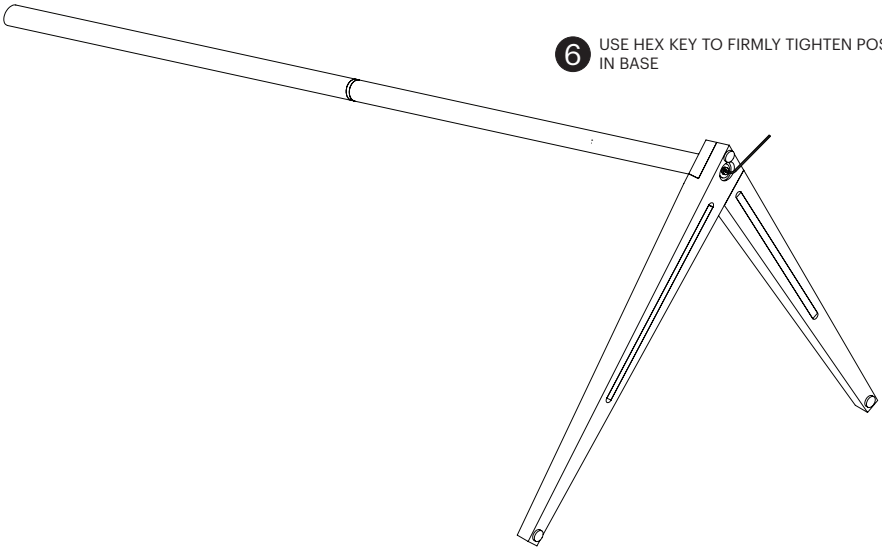
4 SCREW TOP POST INTO  
BOTTOM POST



5 ROTATE POST ASSEMBLY SO THAT ARROW ON  
ORIENTATION STICKER IS CENTERED BETWEEN LEGS.  
REMOVE STICKER.



6 USE HEX KEY TO FIRMLY TIGHTEN POST  
IN BASE

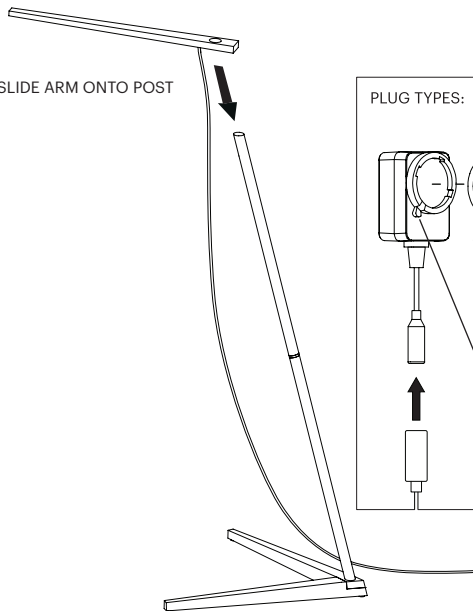


# Pablo®

## CLAMP FLOOR

### ASSEMBLY

- 7 SLIDE ARM ONTO POST



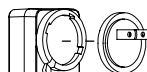
### PLUG TYPES:

A

B

C

D



- 1 PUSH AND TWIST PLUG INTO POWER SUPPLY

PUSH BUTTON TO REMOVE PLUG

- 2 CONNECT LAMP CORD TO POWER SUPPLY

A. N AMERICA

B. UK

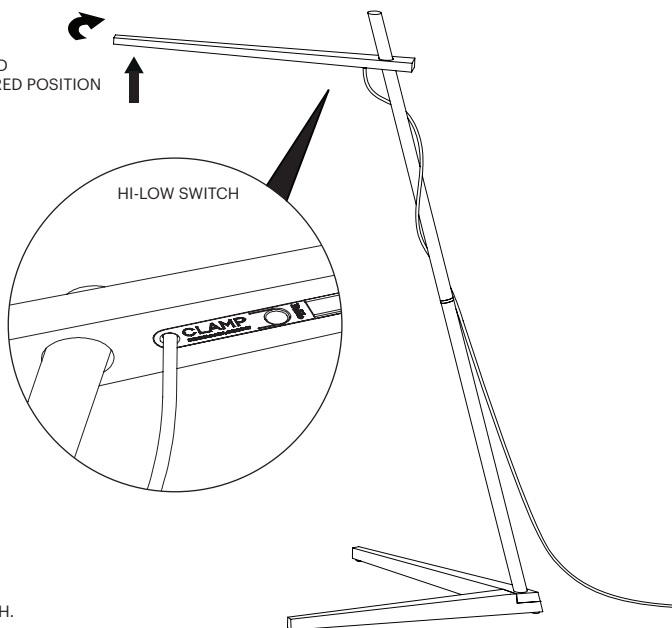
C. EU

D. AU

NOTE: CONTACT MANUFACTURER FOR ADDITIONAL PLUG TYPE REQUIREMENTS.

### ADJUSTMENT

- 8 LIFT ARM TO ADJUST HEIGHT AND ROTATE LIGHT SOURCE TO DESIRED POSITION



### CARE INSTRUCTIONS

WIPE CLEAN WITH A SOFT DAMP CLOTH.  
AVOID AMMONIA-BASED CLEANERS.



Pablo®

# CLAMP FS

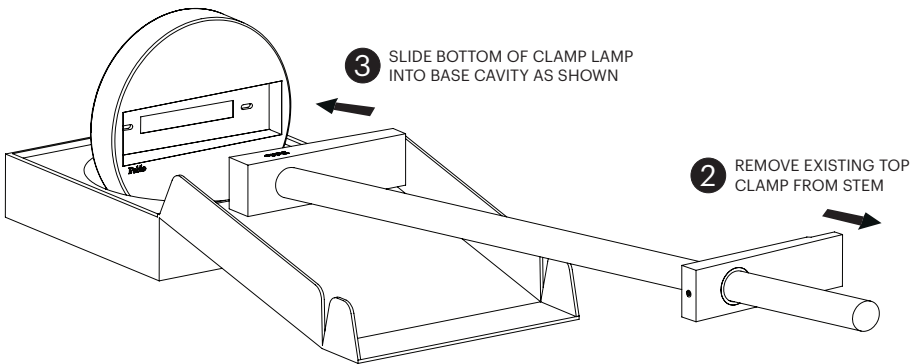
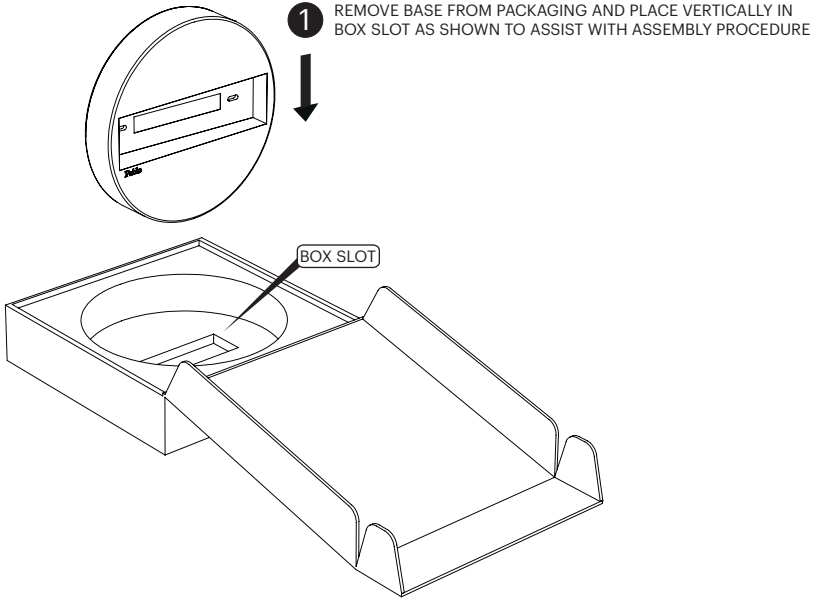
ASSEMBLY & INSTALLATION INSTRUCTIONS



# Pablo®

# CLAMP FS

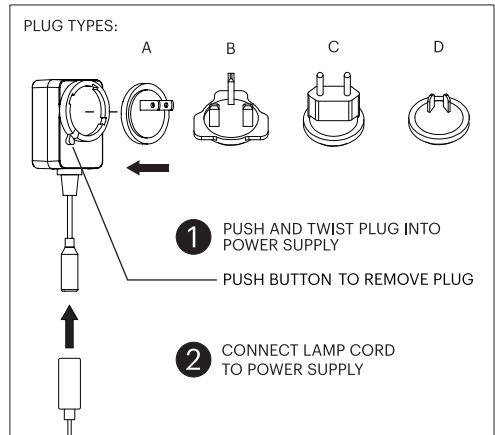
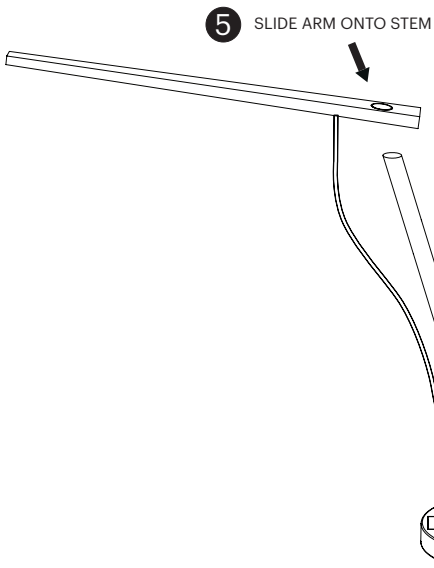
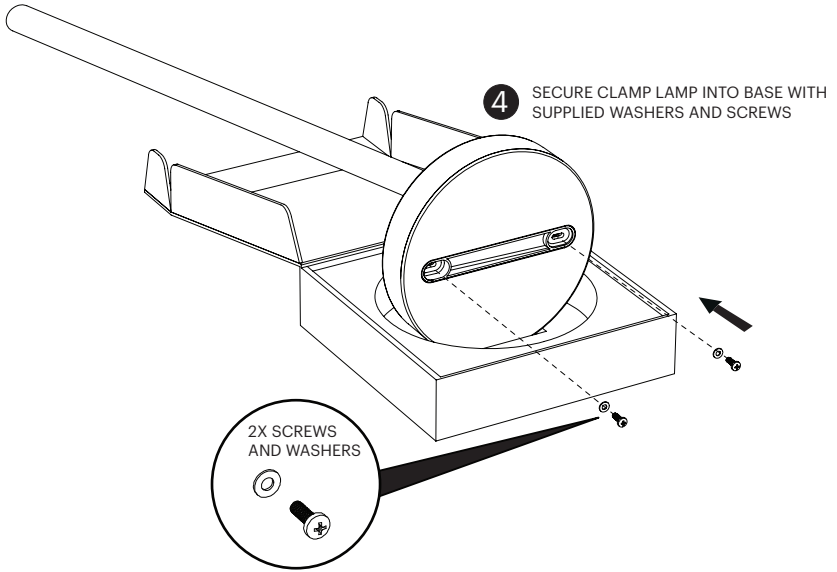
## ASSEMBLY



# Pablo®

## CLAMP FS

### ASSEMBLY



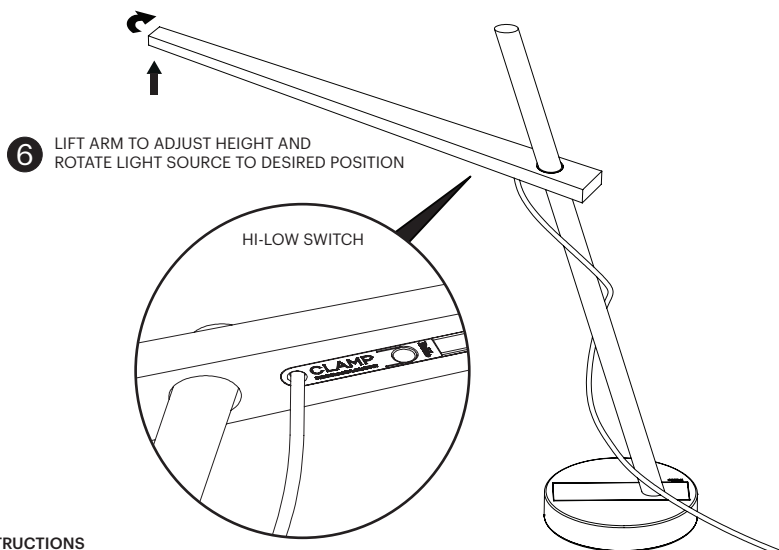
A. N AMERICA B. UK C. EU D. AU

NOTE: CONTACT MANUFACTURER FOR ADDITIONAL PLUG TYPE REQUIREMENTS.

# Pablo®

## CLAMP FS

### ADJUSTMENT



### CARE INSTRUCTIONS

WIPE CLEAN WITH A SOFT DAMP CLOTH.  
AVOID AMMONIA-BASED CLEANERS.

INFO@PABLODESIGNS.COM  
888 MARIN STREET  
SAN FRANCISCO, CA  
94124

PABLODESIGNS.COM

Pablo®

# CLAMP MINI

## ASSEMBLY & INSTALLATION INSTRUCTIONS

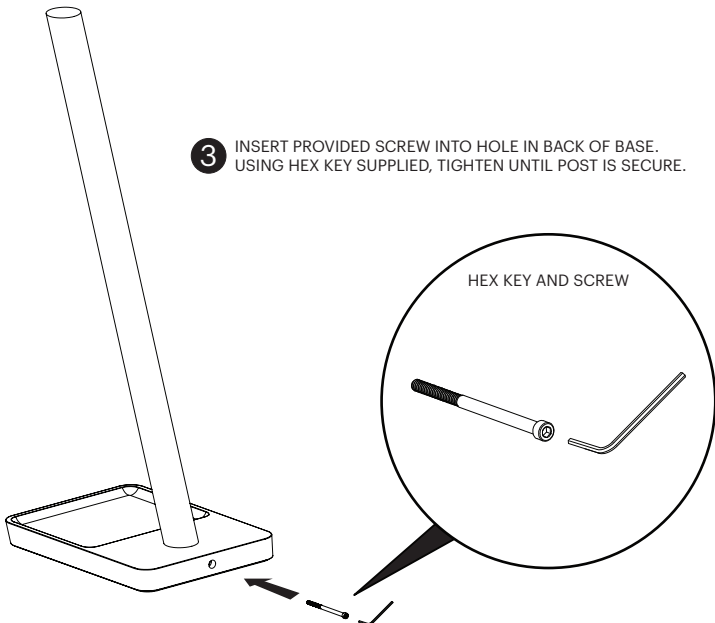
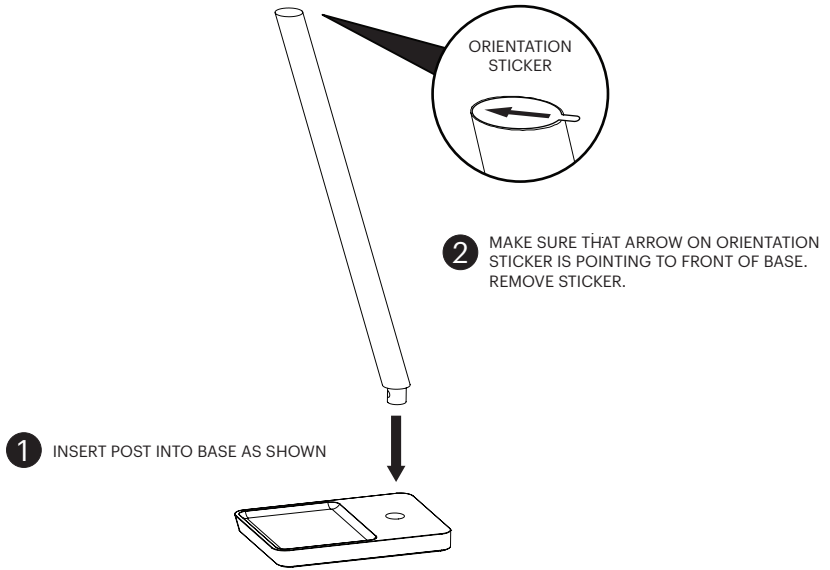
INFO@PABLODESIGNS.COM  
888 MARIN STREET  
SAN FRANCISCO, CA  
94124

PABLODESIGNS.COM



# Pablo® CLAMP MINI

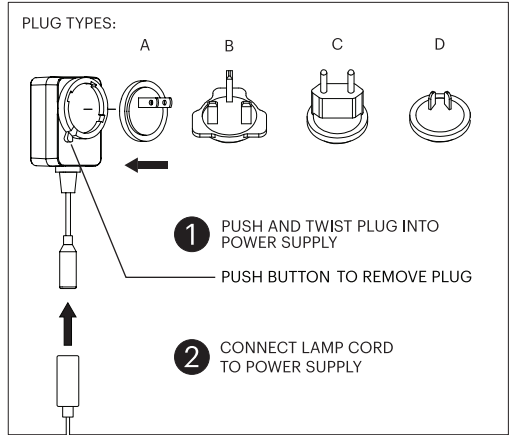
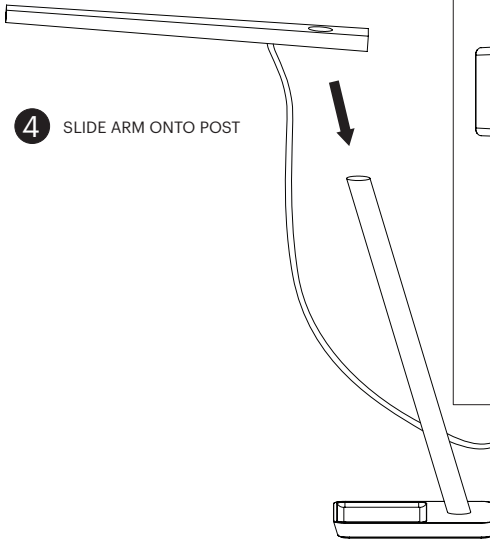
## ASSEMBLY



# Pablo®

## CLAMP MINI

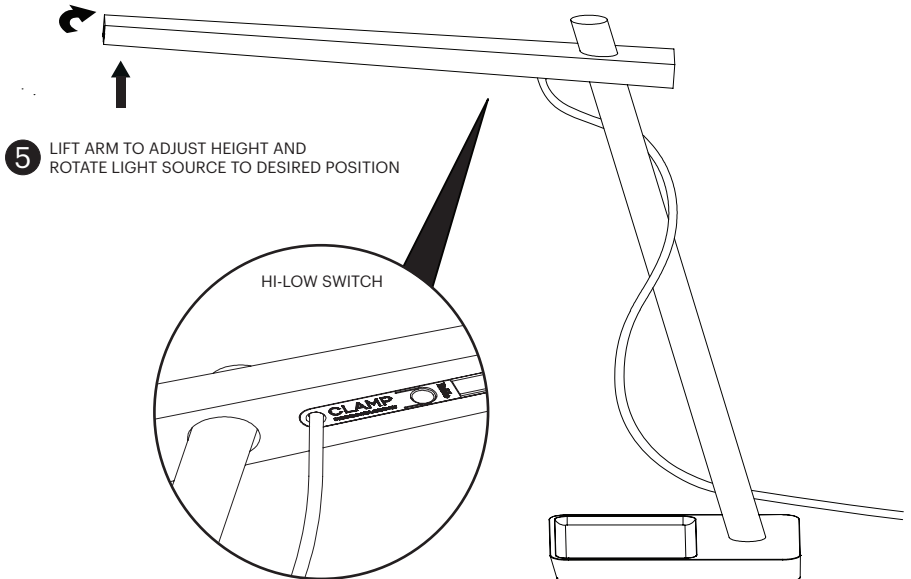
### ASSEMBLY



A. N AMERICA B. UK C. EU D. AU

NOTE: CONTACT MANUFACTURER FOR ADDITIONAL PLUG TYPE REQUIREMENTS.

### ADJUSTMENT



**CARE INSTRUCTIONS**  
WIPE CLEAN WITH A SOFT DAMP CLOTH.  
AVOID AMMONIA-BASED CLEANERS.